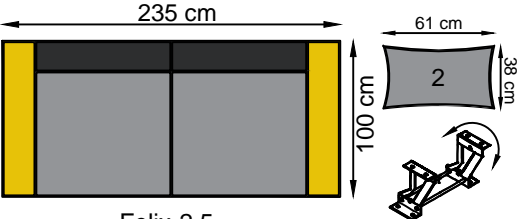
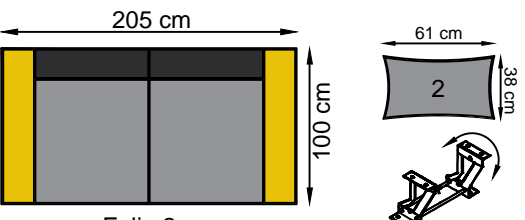
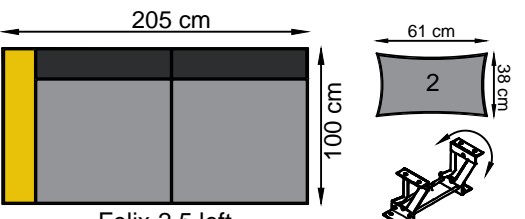
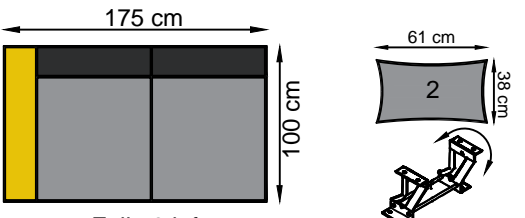
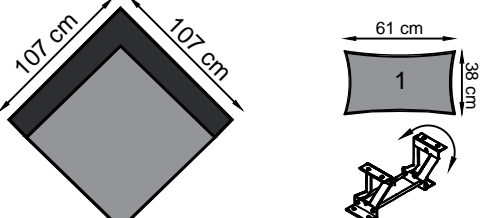
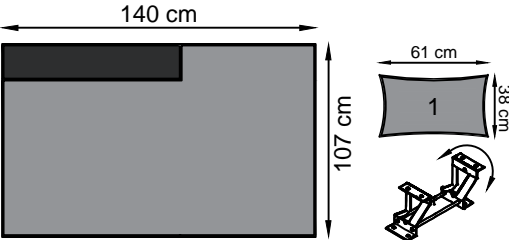
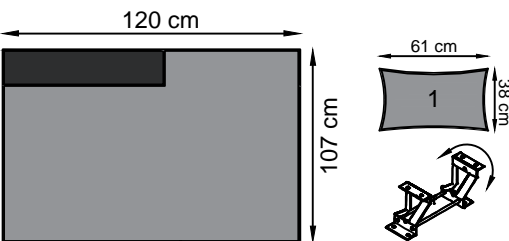
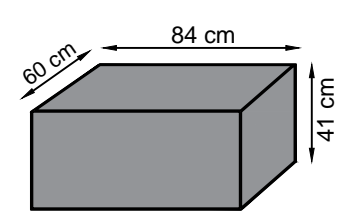


AHIKOS - TECHNICAL FILE FOR FELIX

Combination	Net weight Without packaging	Dimensions in packaging	Gross weight With packaging	Volume with packaging (m ³)
 <p style="text-align: center;">Felix-2.5</p>	63	240 x 105 x 100	68	2.50
 <p style="text-align: center;">Felix-2</p>	56	210 x 105 x 100	61	2.20
 <p style="text-align: center;">Felix-2.5 left</p>	56	210 x 105 x 100	61	2.20
 <p style="text-align: center;">Felix-2 left</p>	49	180 x 105 x 100	54	1.90
 <p style="text-align: center;">Felix-corner</p>	34	112 x 105 x 100	39	1.10

 <p>Felix-1.5 long chair</p>	36.5	145 x 112 x 100	41.5	1.60
 <p>Felix-1 long chair</p>	32.5	125 x 112 x 100	37.5	1.40
 <p>Felix-footstool</p>	13.5	65 x 89 x 46	14	0.28